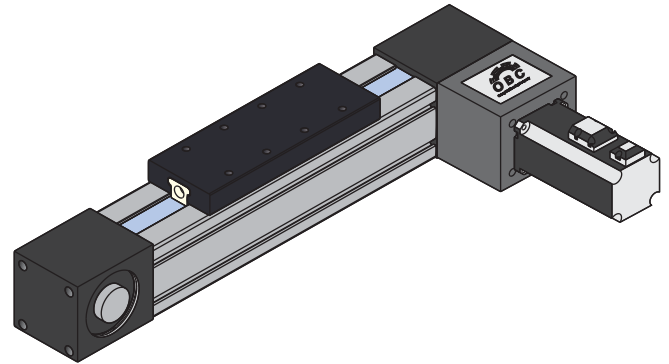
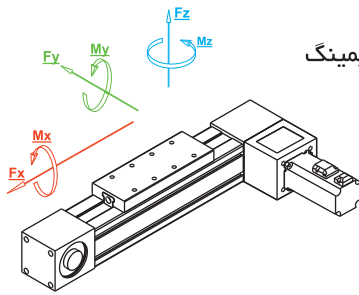
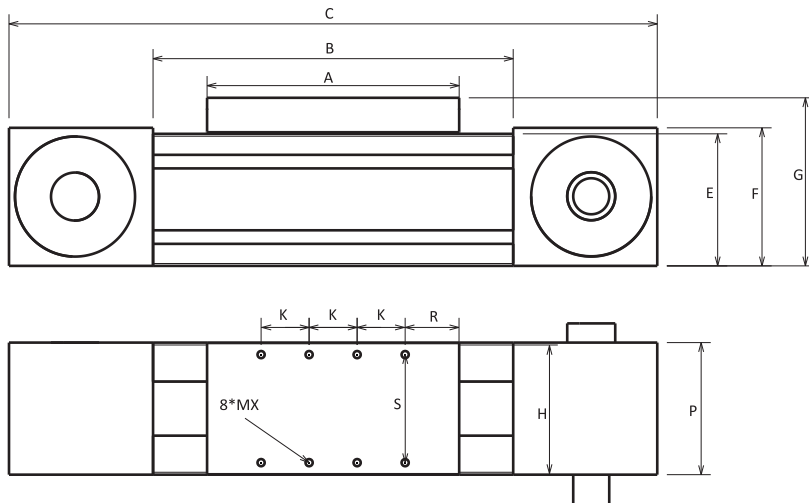


## 65\*65 T

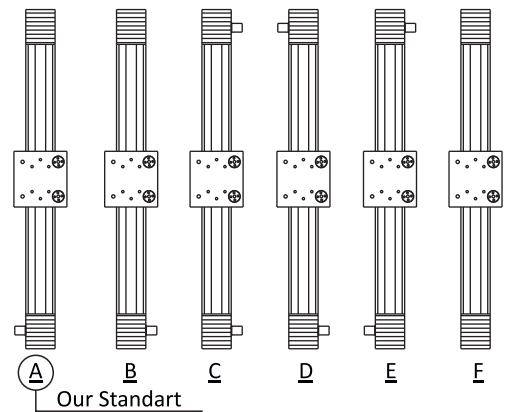
مدول های خطی با سیستم حرکتی تسمه تایمینگ



Load		
Static	(N)	
<span style="color: red;">■</span> F <sub>x</sub>	(N)	750
<span style="color: green;">■</span> F <sub>y</sub>	(N)	1505
<span style="color: blue;">■</span> F <sub>z</sub>	(N)	2030
Moment		
	(Nm)	
<span style="color: red;">■</span> M <sub>x</sub>	(Nm)	120
<span style="color: green;">■</span> M <sub>y</sub>	(Nm)	140
<span style="color: blue;">■</span> M <sub>z</sub>	(Nm)	135



Drive Shaft Directions



Unit : mm

کد کاس	A	B	C	E	F	G	P	H	R	K	S	X	قیمت	
													دلار	تومان
65*65 T	180	300	460	65	70	85.5	67	65	30	40	45	6		
Body	65*65 Profile Aluminum (6063)						Linear Block		TRS15VN					
Max Speed	5 m/sec						Belt Tensile Force		2000 N					
Pitch	160 mm						Belt Pitch		5 mm					
Timing Belt	5M-25						Max Length		4000 mm					
Timing Pulley	32-5M-25						Positioning accuracy		0,01 mm					